



PHYTOBARREL - USER MANUAL

Thank you for purchasing our product.
Be sure to read this manual before first use.

USE - The product is used to perform healing spa treatments with steam enriched with natural herbs.
 It is recommended for recreational, healing and restorative purposes.
 There are contraindications. Please consult your therapist.

PRODUCT COMPONENTS

- Wooden barrel with:
- front door, two upper doors and head opening lid
 - adaptable bench with 3 seating levels
 - armrests
 - footrest (two-parts)
 - a steam distribution system installed on the floor under the footrest, with inlet in the rear wall of the barrel
 - condensate drain trap (click-clack type), on the floor under the footrest
- Steam generator with:
- special head with lid for filling in water and placing herbs
 - control panel
 - steam outlet
 - drain cock
 - attached temperature sensor with cable
- Steam hose
 Condensate tray
 Herb strainer - 2 pcs.

ACCESSORIES

- Steam generator stand with adjustable feet
- Set of waterproof covers (for outdoor installation)

TECHNICAL DATA:

BARREL	STEAM GENERATOR
Material - cedar wood	Material - stainless steel
Fittings - stainless steel	Size - 520x160x400 mm
Steam system - copper	Weight - 8 kg
Size - 1000x780x1300 mm	Water volume - 8 litres max
Weight - about 80 kg	Power - 2,5 kW, 220V ~

INSTALLATION, SWITCHING ON

Phytobarrel can be installed indoors or outdoors. A horizontal flat floor is required, a moisture resistant cover is recommended. The area required for installation is about 1 m².

Do not install the unit close to heaters and in direct sunlight.

Indoor installation.

The barrel should be installed in a well-ventilated area.
 The steam generator is installed on a wall (use the fixing holes located on the rear wall of the generator) or on the Steam generator stand (see ACCESSORIES). Minimum installation height - 30 cm from the floor.

Outdoor installation.

Phytobarrel should be installed under shed or canopy, with protection from precipitation.
 The steam generator is installed only on the Steam generator stand.
 When installing outdoors, the use of Waterproof Covers (see ACCESSORIES) is mandatory.

Connection of phytobarrel and steam generator (Fig. 1).

The distance from the barrel to the steam generator - maximum 1 m.
 The steam supply hose 6 is connected to the steam inlet of the barrel 2 and the steam outlet of the steam generator 4.
 The temperature sensor 3 shall be inserted into a special hole 1 in the rear wall of the barrel so that, when installed, the metal housing of the sensor is fully inserted into the barrel wall.

The steam generator is connected to a 220 V socket, the power is 2,5 kW.
The socket to which the steam generator is connected must be grounded.

After installation and connection, check that the condensate drain trap (click-clack type) is open. The trap is located on the floor in front under the footrest.

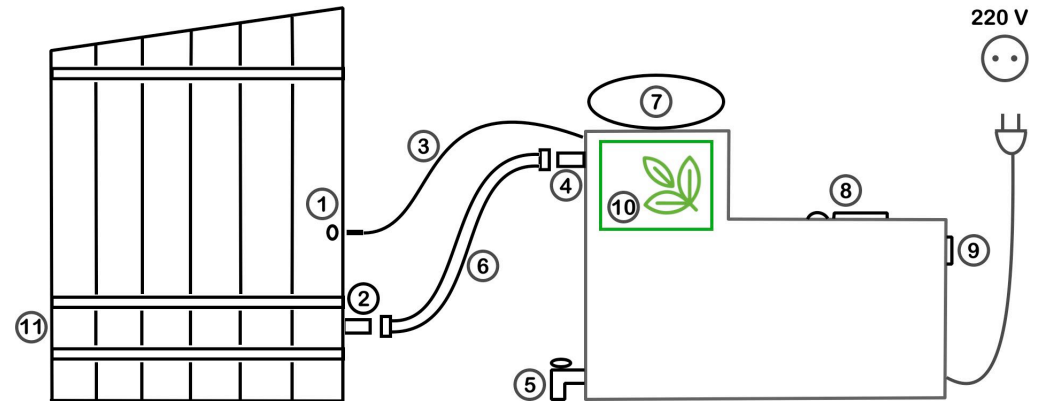


FIG. 1 Important elements and connection of the phytobarrel

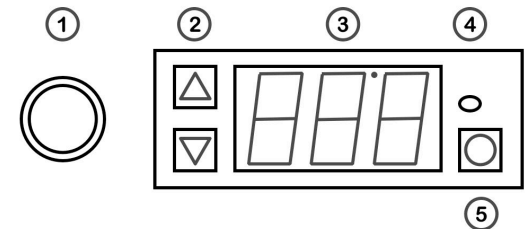
- 1 - temperature sensor hole
- 2 - steam distribution system inlet
- 3 - temperature sensor with cable
- 4 - steam outlet pipe
- 5 - drain cock
- 6 - steam hose
- 7 - head with lid for water and herbs
- 8 - control panel
- 9 - power switch
- 10 - herb strainer
- 11 - stainless steel bands

CONTROL PANEL

The control panel is used to set and control the temperature in the barrel and control the water level in the steam generator. It has three control buttons, a digital temperature indicator and two LED indicators.

FIG. 2 Control panel elements

- 1 - two-colour water level indicator
- 2 - temperature change buttons
- 3 - digital temperature indicator
- 4 - heater operation indicator
- 5 - switching and setting button



Turning on the steam generator, filling with water

Turn on the steam generator with button 9 (Fig. 1).
 1). If the generator is already filled with water, it will start heating up to the temperature set during the last use.
 If there is no water in the generator or there is insufficient water (less than 3.5 liters), indicator 1 (Fig. 2) lights up red and an intermittent audible signal is heard.

To start heating, fill the generator with water through head 7 (Fig. 1), the drain cock 5 (Fig. 1) must be closed.
 The amount of water required to perform the procedure is 3.5 liters (minimum amount of water) + 1 liter for each hour of steam generator operation (maximum 8 liters).

Water level control, low level protection

When the water level in the generator is between the minimum and maximum levels, indicator 1 (Fig. 2) is not lit.

When the maximum water level is reached during filling, indicator 1 (Fig. 2) lights up green. Stop filling with water.

When the water level falls below the minimum during operation, indicator 1 (Fig. 2) lights up red and an intermittent audible signal is heard. The heating is switched off automatically. Add the required amount of water as described above.

Viewing, setting, and maintaining the temperature inside the phytobarrel (Fig. 2).

Digital indicator 3 continuously displays the actual temperature inside the barrel. Pressing button 5 displays the set temperature in the barrel within 10 seconds; if necessary, set the desired temperature using buttons 2. Then press button 5 or wait 10 seconds—indicator 3 will display the actual temperature, and the desired temperature setting will be saved.

After the barrel has heated up to the set temperature, the steam generator switches to temperature maintenance mode. Indicator 4 (Fig. 2) lights up when the heating element is operating.

During the automatic temperature maintenance in the barrel, the temperature may briefly drop a few degrees below the set value. This is not an error, but a feature of the optimal operation of the steam generator in automatic temperature maintenance mode.

Locking/unlocking the keypad

Press two buttons 2 simultaneously to lock. Indicator 3 shows **Loc**.

Press two buttons 2 again to unlock. Indicator 3 shows **UnL**.

When the keypad is locked, the desired temperature cannot be changed.

PREPARATION AND EXECUTION OF THE PROCEDURE

Turn on the steam generator, fill it with water, and set the desired temperature as described above (the recommended temperature is 45-47 degrees C).

Place the bag with the selected herbal blend in a special strainer 10 (Fig. 1), insert the strainer into the head of the steam generator 7 (Fig. 1) and close the lid.

Insert the condensate tray into the special opening in the bottom of the front of the barrel.

Turn on the steam generator and adjust the temperature inside the barrel as required (recommended temperature is 45-47 degrees C). When the steam generator is heated, the barrel must be completely closed (including the head opening cover). The heating time of the barrel is 10-20 minutes. Monitor the temperature in the barrel via the indicator on the control panel.

After heating the barrel, the selected temperature is maintained automatically.

Do not open the steam generator head lid while the generator is running to avoid steam burn.

Do not touch the steam hose while the steam generator is running; it is hot.

Do not lift the footrest when the generator is running - there is a steam distribution system underneath.

After heating the barrel, adjust the seat to the required height (it is recommended to put a towel on the seat) and start the procedure.

The doors in the barrel are opened in sequence - first the head opening lid, then the upper doors, then the front door. They close in the exact opposite order.

During the procedure, all the barrel doors must be tightly closed (the front door has a lock on the inside), it is also recommended to wrap a towel around the neck to reduce the effect of steam on the head. The recommended duration of one treatment is 10-15 minutes.

During the procedure a small amount of steam may escape from the seams around the door, this is normal.

If the procedure is performed on a child, do not leave the child unattended until the procedure is completed.

After completion of the procedure:

Switch off the steam generator - button 9 (Fig. 1).

Open all the doors of the barrel and remove the remaining moisture with a soft cloth. To remove the remaining moisture from the bottom of the barrel, lift the footrest.

Then let the barrel dry.

Keep the front door open for no more than 1-2 hours, the upper doors - as much as necessary for the barrel to dry completely.

Lack of or insufficient drying of the phytobarrel after use can lead to deformation and difficulties in closing/opening the doors.

Remove the condensate tray and drain the water.

If using the phytobarrel at temperature below zero, be sure to drain all water from the steam generator and leave the drain cock open when finished.

Drain the water from the steam generator into a metal container of your choice.

The temperature of the steam generator water is about 100 degrees, drain carefully to avoid burns.

Open the lid of the steam generator and remove the used bag of herbal blend.

Between uses, keep the barrel door tightly closed (to prevent deformations). It is permissible to leave the head opening lid open.

When the phytobarrel is installed outdoors and not in use, be sure to cover the barrel and steam generator with waterproof covers.

OPERATION AND MAINTENANCE FEATURES

Use ordinary tap water or bottled table water in the steam generator.

It is recommended to use the herbal blends **steam&HERBS** additionally provided by the manufacturer.

These herbal blends have a composition and dosage specifically designed for use in phytobarrel.

Periodically disinfect the barrel depending on your needs or according to current regulations. Use the usual wooden sauna care products.

Do not use cleaning agents containing chlorine, abrasive materials.

Periodically wipe the steam generator with a slightly damp cloth. When necessary use suitable household cleaning agents.

When filling the steam generator, do not allow water to enter the control panel. If water gets in, turn off the steam generator and remove any moisture.

The bottom of the barrel has two stainless steel bands fastened with a screw.

Depending on the humidity of the surrounding air, their adjustment may be necessary.

At high humidity, the wood of the barrel swells, which can make it difficult to close the front door. In this case, the straps should be loosened.

At low humidity, the wood of the barrel dries out, the straps begin to hang loosely. In this case, the straps should be tightened.

Periodically check the condition of the straps and adjust them if necessary. Use any adjustable wrench for adjustment. The direction of adjustment is shown in Fig. 3.

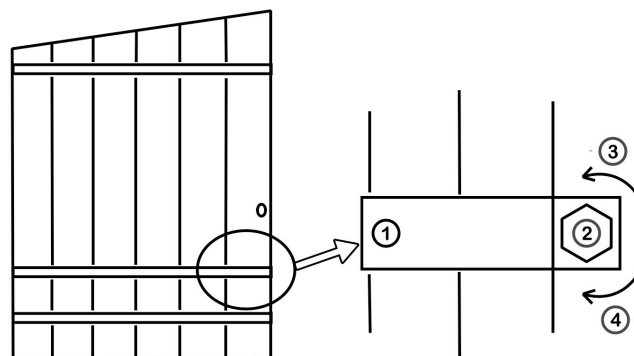


FIG. 3 Adjusting the straps

- 1 - strap
- 2 - connecting screw
- 3 - loosening direction
- 4 - tightening direction

The service life is up to 10 years, with proper care and maintenance.

The barrel is made of wood. Cosmetic defects in the material that occur during use (slight cracks, darkening of the surface) are not considered as reason for warranty claims.

Lack of or insufficient drying of the phytobarrel after use or storing it with the doors open is a violation of the rules for using the phytobarrel.

Deformations and difficulties in closing/opening the doors for these reasons are not cause for warranty claims.

(c) PinusSpa.com, 2025